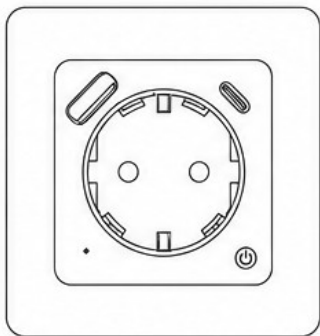




Smart Socket

User Manual



Thank you!

Thank you for choosing Stonehouse Smart. Please read this manual carefully before use and keep it for future reference.

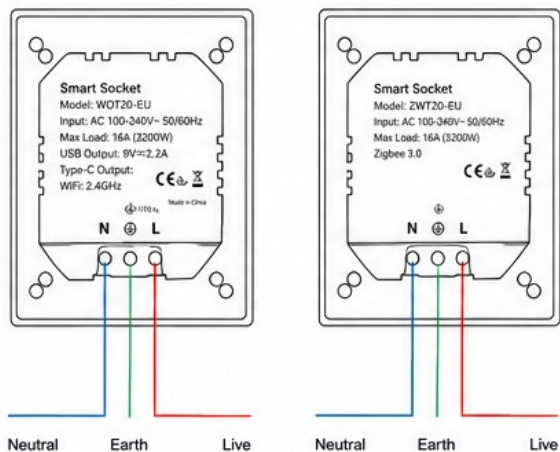
1

Wiring for Smart Socket

* Please wire for the socket according to the diagram:

Specification

Model Number	WOT20-EU/ZWT20-EU
Working Voltage	AC 100-240V (50/60Hz)
Max Load	16A (3200W)
USB/Type C	9V/2.2A, 12V/1.67A
Network connect	WiFi 2.4GHz / Zigbee



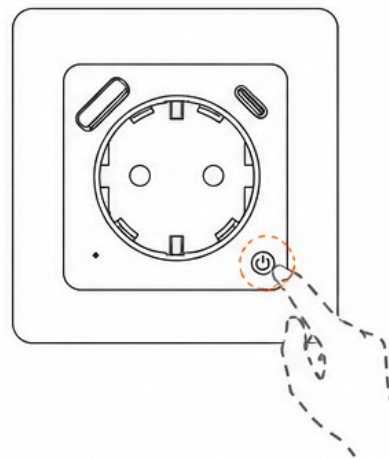
2

Internet connection

- 1 Scan the QR code to download "Stonehouse Smart" or "Tuya Smart" APP.



- 2 Long press the power button for more than 3 seconds until the indicator light begin to flash quickly, this means the device is already for configuration.



3

3. (Wi-Fi)

a. Open your "Stonehouse Smart" APP and click "+" on the top right corner of the APP. Select Device Type, click "Add" and indicate light rapidly blink. These will automatically fetch the password of the Wi-Fi network that your mobile phone connected to. Then tap "Confirm" to connect to the device.

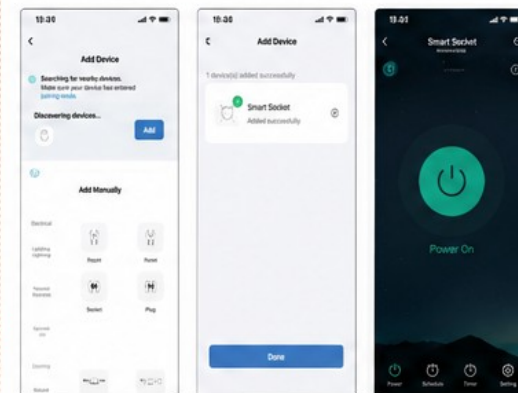
b. When appears "Successfully added | device", it means the connection is complete and your device will be listed in your smart product list in the app.

3. (Zigbee)

a. Make sure you already have a zigbee gateway connect to the network.

b. Open the gateway panel to search for devices. After finding the socket, add it to complete the network configuration.

c. Go to the device control panel, then it can be used normally.



4