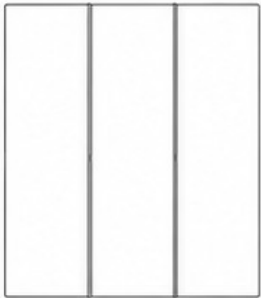




## Smart Light Switch

### User Manual



### Specification

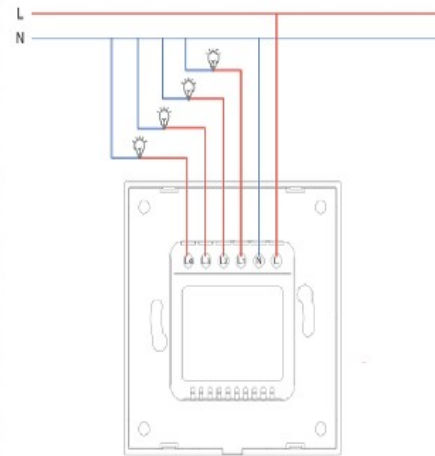
Working Voltage	AC100-240V (50/60Hz)
Max. Load	800W/Gang (Resistive load)
Max. Current	10A
Wireless Frequency	WiFi 2.4GHz
WiFi Standard	802.11 b/g/n
Standby Consumption	0.1mA
Plastic Material	PC flame retardant

### Packing List

- Smart Light Switch \*1
- User Manual \*1
- Screws \*2

### Wiring for Smart Switch

Please wire for the switch according to the diagram.



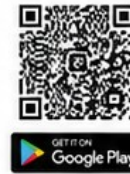
#### Tips:

N: Neutral Wire  
L: Live Wire  
L1-L4: Load 1-4

### Preparation For Use

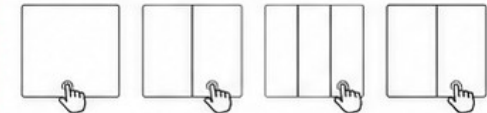
#### Step 1

Search for "Stonehouse Smart" in the App Store or scan the QR code below to download and install the App. Press the "Register" button to create an account if this is your first time using it. If you already have an account, press the "Log in" button.



#### Step 2

Press and hold the device's network pairing button for 5 seconds, make the backlight flashing.

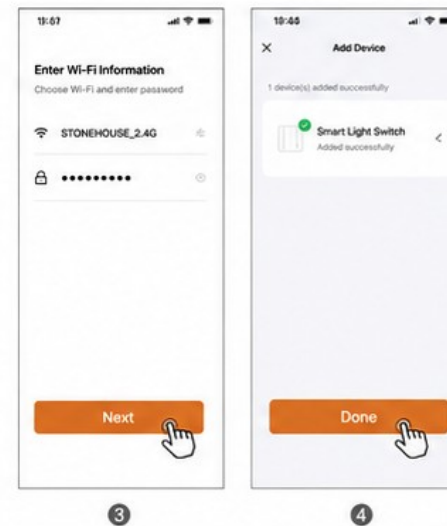
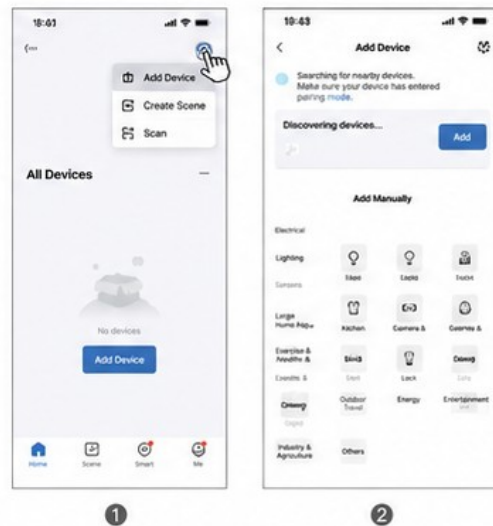


1/2/3/4-gang network pairing button

**Step 3** Make your phone connect to WiFi (must be 2.4G), then open Bluetooth.



**Step 4** Add device as shown in the figure.



Note: If the network configuration fails, do the steps 2 and connect again.